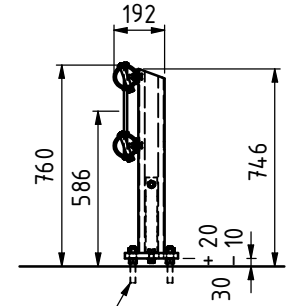
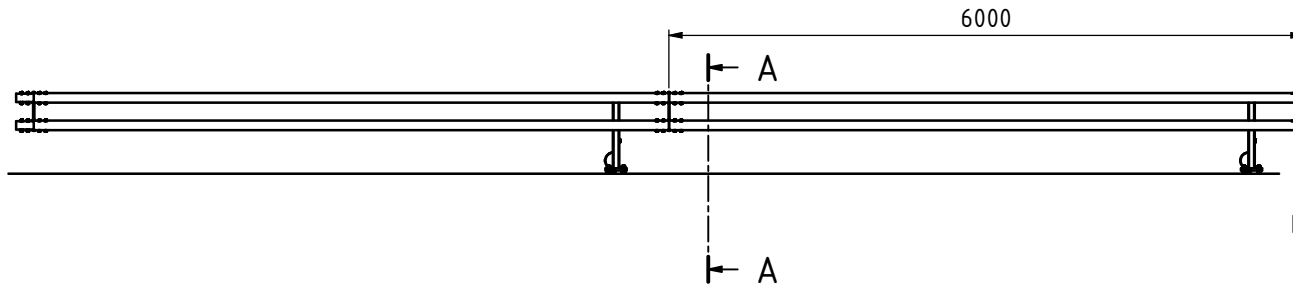
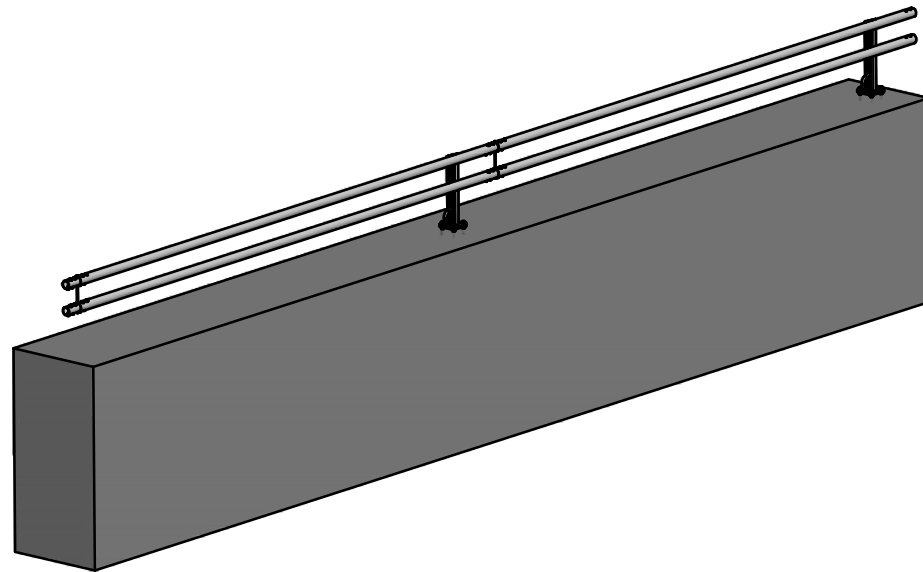
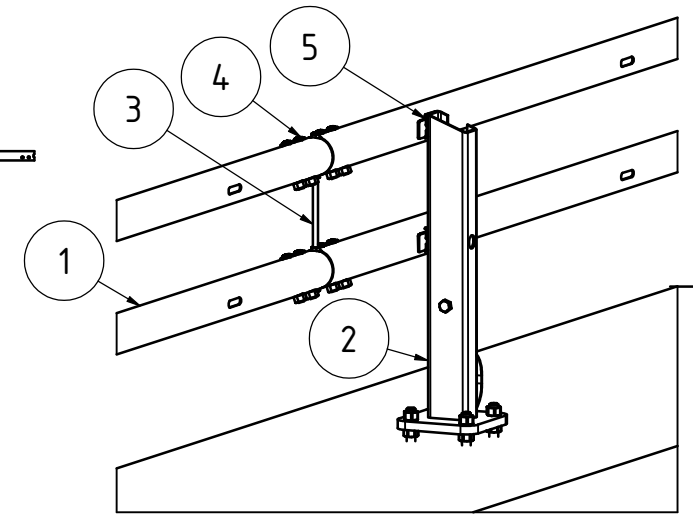
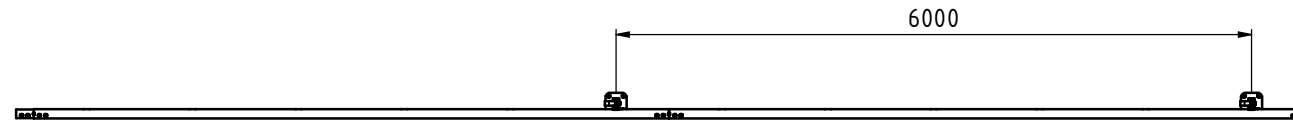


A-A (1 : 20)



Min. M20 A4-80/8.8 cc140



5	2 / 6m	LOCK KIT M12 4.6 BOLT	0,2 kg	60590
4	8 / 6m	JOINT BOLT with NUT	0,2 kg	112216105001
3	1 / 6m	SL-R N2 Skjøtehylse KIT H vfz	5,2 kg	67519
2	1 / 6m	SL-R N2 stolpe pl. M20x140cc m/tape	11,6 kg	60523
1	2 / 6m	Railing	36,7 kg	60510
Item No.	Qty.	Description	MASS	Note

Date	09.01.2020	Constr./Drawn by	AT	Scale	A3 - 1 : 50	Sheet #	1 / 1	 a SAFEROAD company		
Calculation		Approved by	JHS			Weight	16,7 kg/m			
SafeLine-R Roadside Barrier								5135310	Revision	-
SafeLine-R N2 CC6 baseplate										
Reference:						Replacing	Replaced by	This drawing is the property of Saferoad and must not be used, copied, or made available to others without our consent.		

Rev.	Revision Description	Sign.	Date
A	Title update	GK	18.02.2020